

Off Grid Module

55W



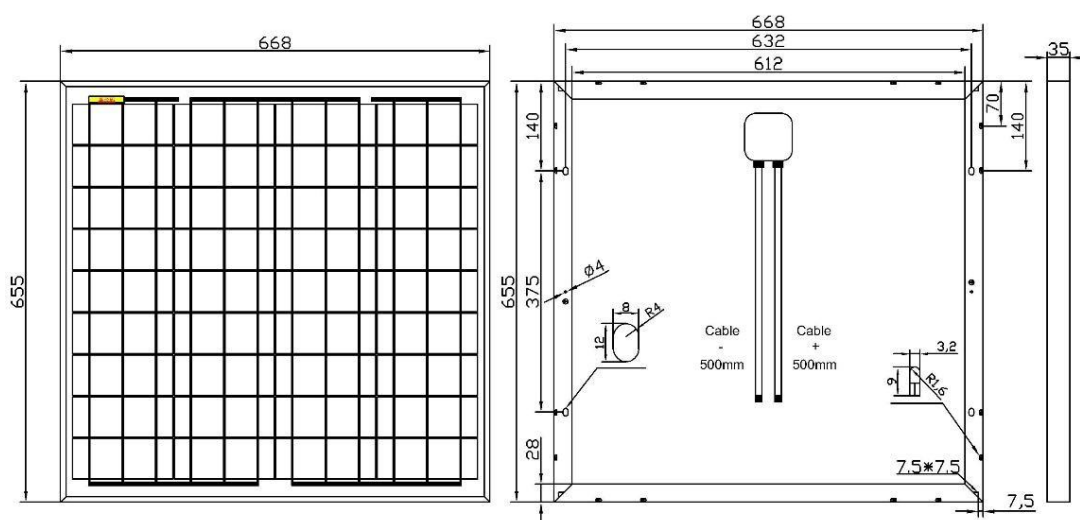
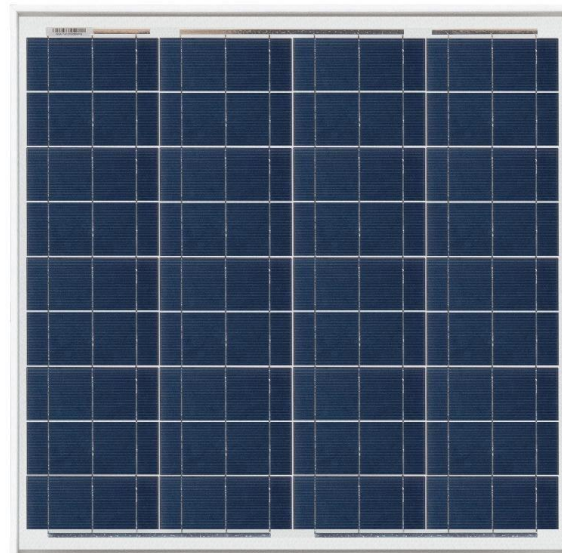
Easy Installation and Handling for Various Applications



Conforms to IEC 61215:2005, IEC 61730:2004 PV Standards



ISO9001, OHSAS18001, ISO14001 Certified



Mechanical Characteristics

Cell Type	Polycrystalline 156 x 63 mm
Glass Frame	High Transmission, Low Iron, Tempered Glass, thickness 3.2mm
Junction Box	Anodized Aluminum Alloy
Dimensions	10A Bypass Diodes
Output Cable	*665 x 668 x 35 mm
Weight	500 mm
Installation Hole Location	5.2 kg
	See Drawing Above

Electrical Characteristics STC

RS-SL55TU-18P

Maximum Power (Pmax)	55W
Power Tolerance	0 ~ +3%
Module Efficiency	12.6%
Maximum Power Current (Imp)	3.00 A
Maximum Power Voltage (Vmp)	18.36 V
Short Circuit Current (Isc)	3.21 A
Open Circuit Voltage (Voc)	22.00 V



10-year

material & workmanship

25-year

power output

Characteristics

Temperature Coefficient of Voc	-0.38%/°C
Temperature Coefficient of Isc	0.04%/°C
Temperature Coefficient of Pmax	-0.47%/°C
Nominal Operating Cell Temperature (NOCT)	47°C±2°C

